

# Thermafoil® Valve Stem Packing Data Sheet

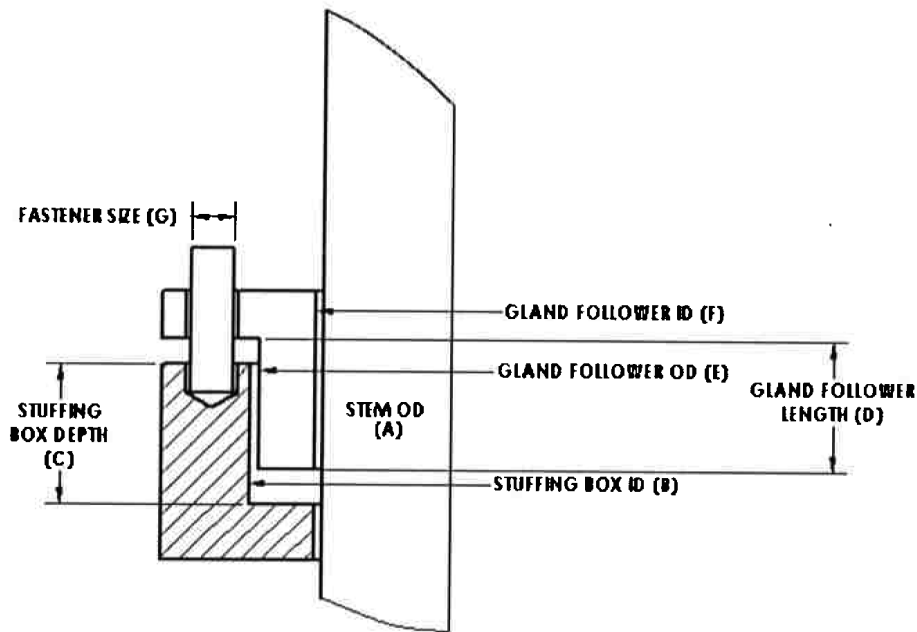


The following information is **REQUIRED** for accurate design, quotation and manufacture of EGC Stem Packing for your application. Incomplete, inaccurate or missing information will result in a delay. Fax to EGC at 440.285.8337 or email at [egc@egcgraphite.com](mailto:egc@egcgraphite.com)

## Step 1: Customer & Valve Data

Company: _____	Contact Name: _____
Plant: _____	Email: _____
Valve Location: _____	Valve Manufacturer: _____
Valve Size: _____ Valve Type: _____	Valve Figure No.: _____
Phone: _____	Valve Pressure Class: _____ Qty. Required: _____

**Step 2:** Provide dimensions below using the stuffing box illustrations for reference. **ACCURATE & COMPLETE** data is essential to ensure proper fit & function of a new Pressure Seal.



- |   |   |
|---|---|
| 1) What is the Valve Pressure Class _____ | 7) E) Glad Follower OD: _____ in.       |
| 2) Operating Temperature? _____ °F        | 8) F) Glad Follower ID: _____ in.       |
| 3) A) Stem OD: _____ in.                  | 9) G) Fastener Size: _____ in.          |
| 4) B) Stuffing Box ID: _____ in.          | 10) Number of Fasteners: _____ in.      |
| 5) C) Stuffing Box Depth: _____ in.       | 11) Stem Motion: _____ in.              |
| 6) D) Glad Follower Length: _____ in.     | (Rotating or Rising or Rotating/Rising) |

**Please fax or email completed form to EGC for prompt quotation. Thank you.**