

Thermafoil® Live-Loaded Valve Stem Packing Data Sheet



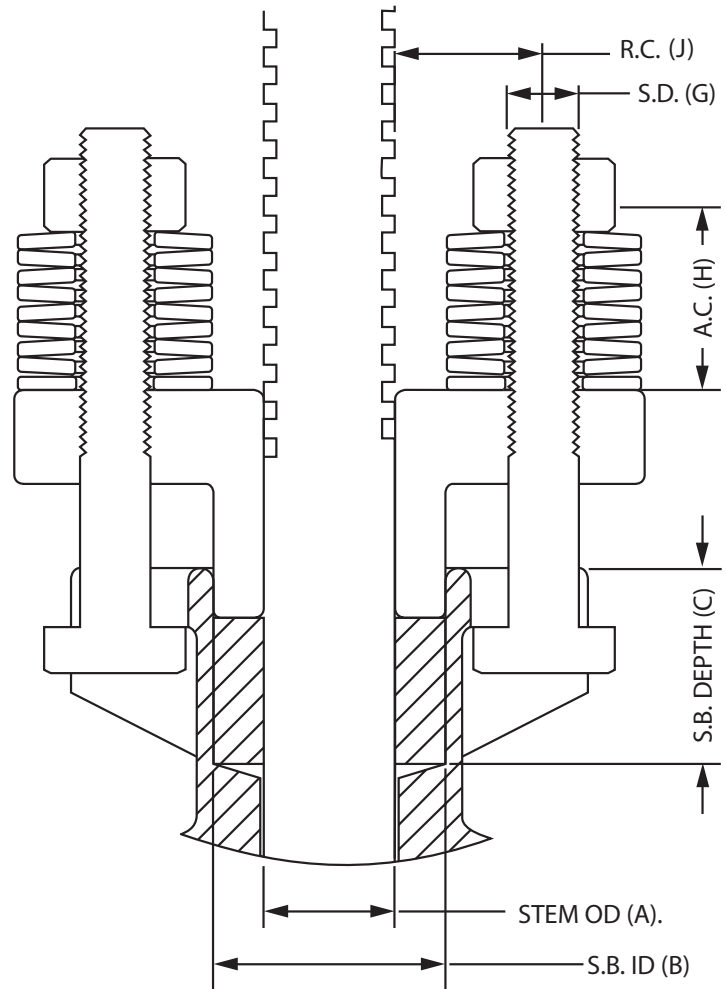
The following information is **REQUIRED** for accurate design, quotation and manufacture of live-loaded stem packing for your application. Incomplete, inaccurate or missing information will result in a delay.
Fax to EGC at 440.285.8337 or email at egc@egcgraphite.com

Step 1: Customer & Valve Data

Company: _____ Contact Name: _____
 Plant: _____ Email: _____
 Valve Location: _____ Valve Manufacturer: _____
 Valve Size: _____ Valve Type: _____ Valve Figure No.: _____
 Phone: _____ Valve Pressure Class: _____ Qty. Required: _____

Step 2: Provide dimensions below using the stuffing box illustrations for reference.
ACCURATE & COMPLETE data is essential to ensure proper fit & function of a new Pressure Seal.

- 1) What is the Valve Pressure Class? _____
- 2) Operating Temperature? _____ °F
- 3) A) Stem OD: _____ in.
- 4) B) Stuffing Box ID: _____ in.
- 5) C) Stuffing Box Depth: _____ in.
- 6) D) Gland Follower Length: _____ in.
- 7) E) Gland Follower OD: _____ in.
- 8) F) Gland Follower ID: _____ in.
- 9) G) Fastener Size (stud diameter) _____ in.
- 10) H) Axial Clearance (A.C.) _____ in.
- 11) J) Radial Clearance (R.C.) _____ in.
- 12) (Number of Fasteners) _____
- 13) Stem Motion _____
 Rotating or Rising or Rotating/Rising



Please fax or email completed form to EGC for prompt quotation. Thank you.