

Thermafoil® Graphite Pressure Seal Data Sheet

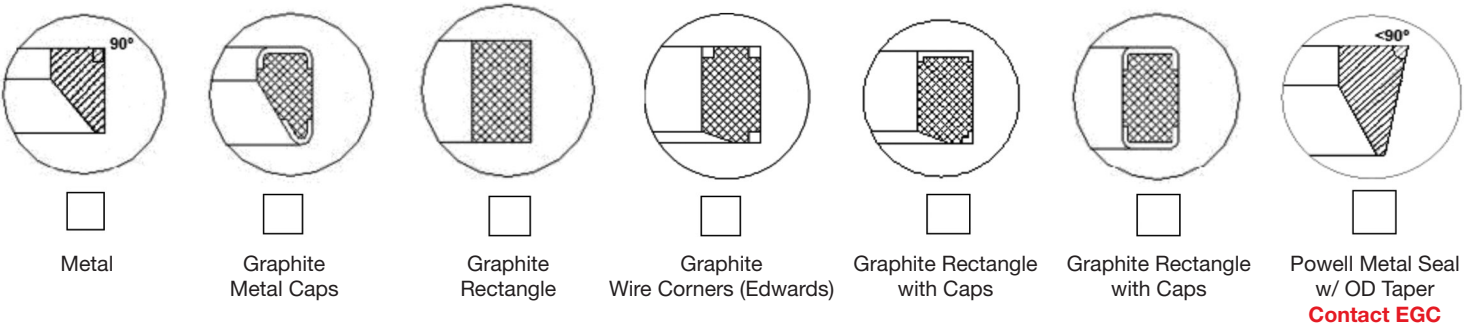


The following information is **REQUIRED** for accurate design, quotation and manufacture of an EGC Pressure Seal. Incomplete, inaccurate or missing information will result in a delay. Fax to EGC at 440.285.8337 or email at egc@egcgraphite.com

Step 1: Customer & Valve Data

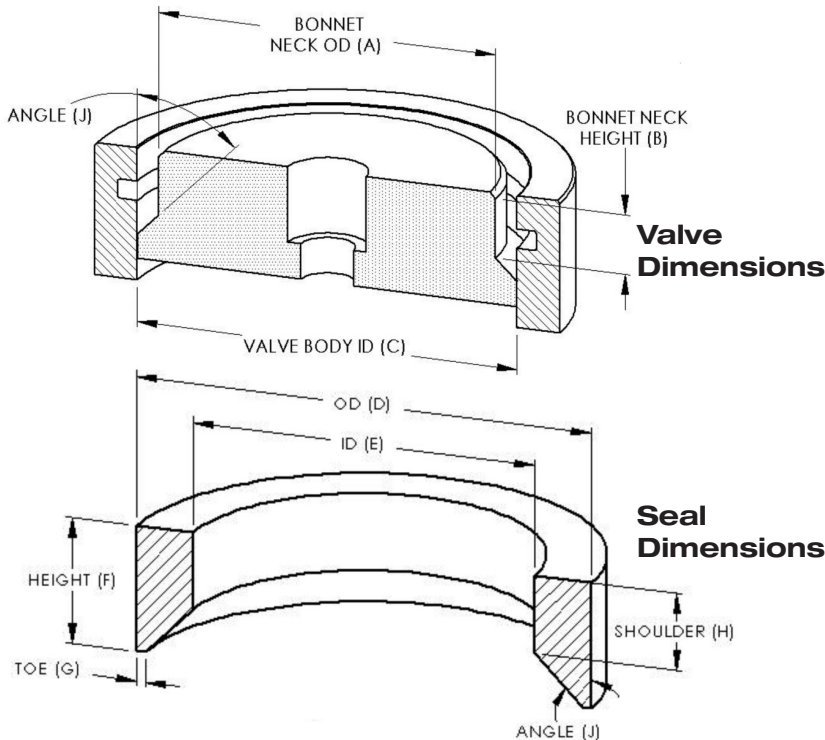
Company: _____ Contact Name: _____
 Plant: _____ Email: _____
 Valve Location: _____ Valve Manufacturer: _____
 Valve Size: _____ Valve Type: _____ Valve Figure No.: _____
 Phone: _____ Valve Pressure Class: _____ Qty. Required: _____

Step 2: Select the box for the **EXISTING** seal you are measuring and replacing.



Step 3: Provide dimensions below using illustrations for reference.

ACCURATE & COMPLETE data is essential to ensure proper fit & function of a new Pressure Seal.



- A) Valve Bonnet Neck OD: _____ in.
 B) Bonnet Neck Hgt: _____ in.
 C) Valve Body ID: _____ in.
 D) Seal OD: _____ in.
 E) Seal ID: _____ in.
 F) Seal Height: _____ in.
 G) Toe Width: _____ in.
 H) Shoulder Height: _____ in.
 J) Angle (Bonnet or Seal): _____ deg.
- Were dimensions taken from a new or used seal?
 Used New
- Spacer / Backing Ring Thickness? _____
- System Operating Pressure? _____
- Will valve be hydro-tested? _____

Please fax or email completed form to EGC for prompt quotation. Thank you.

140 Parker Court, Chardon, OH 44024 • Tel: 440-285-5835 • Fax: 440-285-8337 • email: egc@egcgraphite.com