

Thermafoil® Graphite Pressure Seal Data Sheet - For Powell Valves



Please complete the 2 steps below and email or fax to egc-ent.com. This information is **REQUIRED** for accurate design, quotation and manufacture of an EGC graphite pressure seal for your application. Incomplete, inaccurate or missing information will result in a delay or inability to design, quote or manufacture the required pressure seal.

Step 1: Customer & Valve Data

Company: _____

Contact Name: _____

Plant: _____

Email: _____

Valve Location: _____

Valve Manufacturer: _____

Valve Size: _____ Valve Type: _____

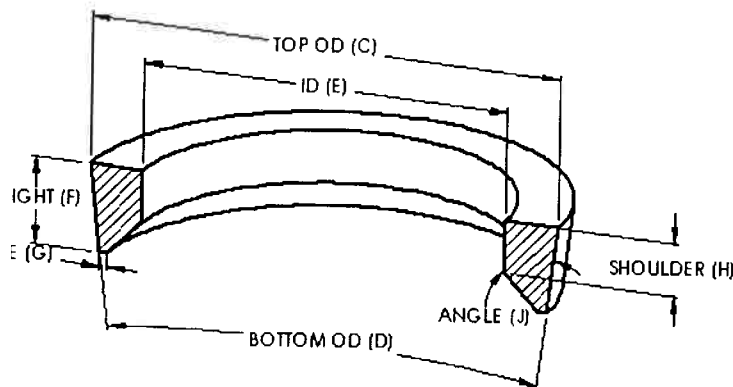
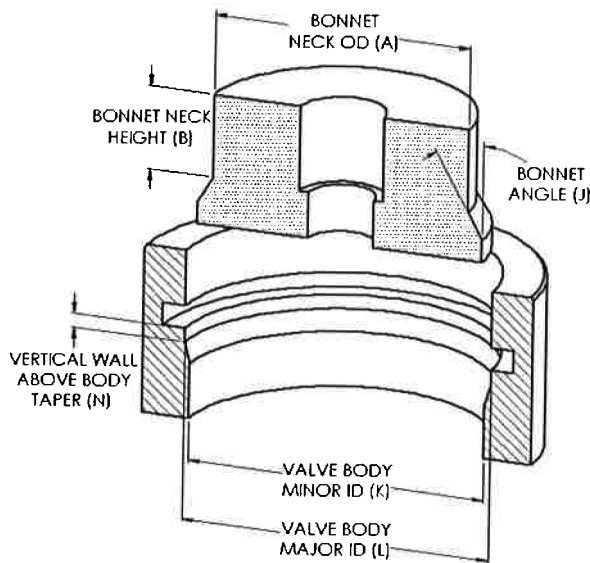
Valve Figure No.: _____

Phone: _____

Valve Pressure Class: _____ Qty. Required: _____

Step 2: Provide dimensions below using illustrations for reference.

ACCURATE & COMPLETE data is essential to ensure proper fit & function of a new Pressure Seal.



- A) Valve Bonnet Neck OD: _____ in.
- B) Bonnet Neck Hgt: _____ in.
- C) Top OD of Seal: _____ in.
- D) Bottom OD of Seal: _____ in.
- E) Seal ID: _____ in.
- F) Seal Height: _____ in.
- G) Toe Width: _____ in.
- H) Shoulder Height: _____ in.
- J) Angle (Bonnet or Seal): _____ deg.
- K) Valve Body Minor ID: _____ in.
- L) Valve Body Major ID: _____ in.
- N) Valve Wall Height Above Taper: _____ in.

- Were dimensions taken from a new or used seal?

Used New

- Spacer / Backing Ring Thickness? _____

- System Operating Pressure? _____

- Will valve be hydro-tested? _____

Please fax or email completed form to EGC for prompt quotation. Thank you.

140 Parker Court, Chardon, OH 44024 • Tel: 440-285-5835 • Fax: 440-285-8337 • email: egc@egc-ent.com